

## Series HPS-SAH, HPS-SAK, HPS-DAH, HPS-DAH/S, HPS-DAK, HPS-DAK/S Manual Non-Coded Pull Station



**HPS-SAH**



**HPS-SAK**



**HPS-DAH**



**HPS-DAH/S**



**HPS-DAK**



**HPS-DAK/S**

### STANDARD FEATURES

- Metal Construction
- Enclosed switch with glass rod (included)
- 10 Amps @ 120 VAC
- Available in: Single Action, Dual Action and Dual Action in Spanish (HPS-DAH/S)
- UL, FM, CSFM Listed
- Made in USA

### DESCRIPTION

Hochiki America's Models HPS series pull stations are available in six models:

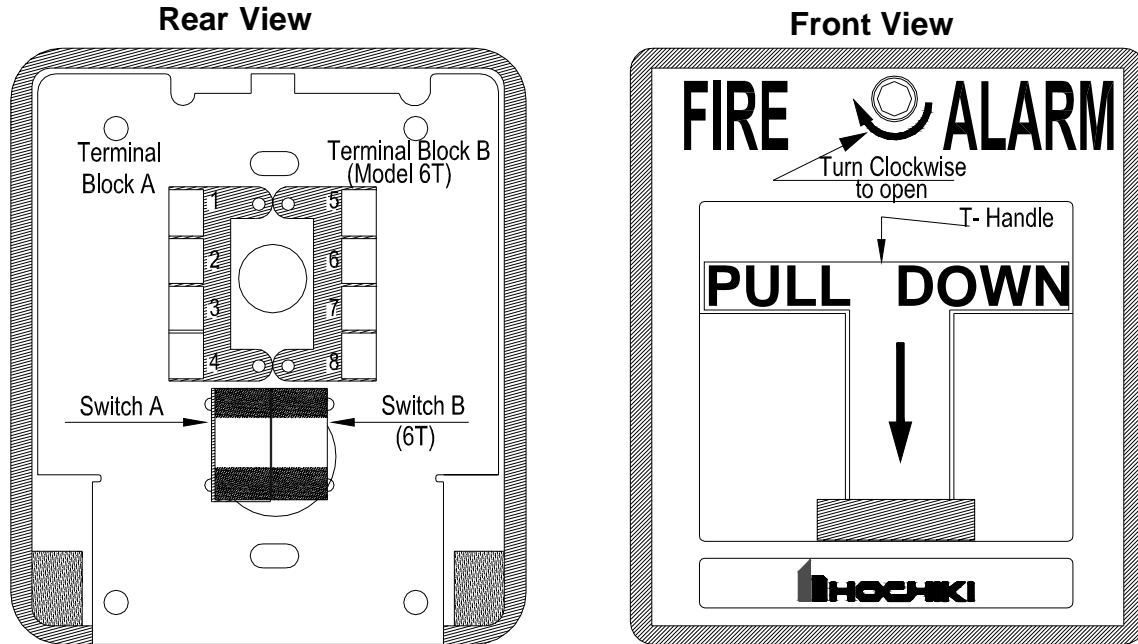
- HPS-SAH single action
- HPS-SAK single action with key lock
- HPS-DAH dual action
- HPS-DAH/S dual action (Spanish)
- HPS-DAK dual action with key lock
- HPS-DAK/S dual action with key lock (Spanish)

Each model is constructed of a solid die cast housing and comes in glossy red. The back switch plate is plated steel. The electrical switch is rated for 10 Amps @ 120 VDC normally open contact rating. All models are connected via terminal block connections.

### PRODUCT LISTING

Underwriters Laboratories: S2984  
CSFM #: 7150-0410:162

Continued on back.



## SPECIFICATION

MODEL	Terminal Block	Terminal Connecting	Switch Function	Terminal Connections			Contact Rating
				LED	Switch	Phone Jack	
SAH, SAK, DAH, DAH/S DAK, DAK/S	A	2 & 3	SPST	1(+) & 4 (-)	1 & 4	1 & 4	10 Amps @125VAC
EXP./WTR.PRF.	A & B	1,2,3,5,6,7	DPDT	4(+) & 8 (-)	4 & 8	4 & 8	10 Amps @125VAC

## ELECTRICAL WIRING

